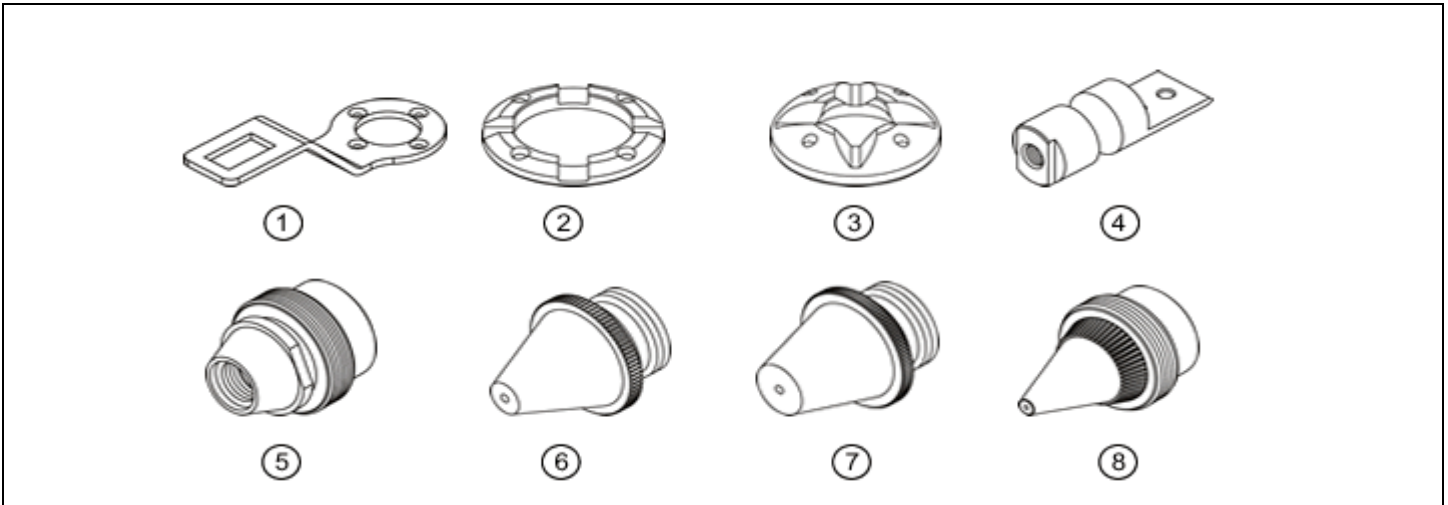


ProductLine: MAZAK
 System: MAZAK®

Date: Jun-5-2014



| Consumables | | | | | |
|-------------|--------------|--------------------------------|---------------------------------------|---------|-----|
| # | PartNo | Reference | Description | Pkg Qty | UOM |
| | MZ309-0101 | 365723001012, AL121 | Break-away Bar L61-M6 | 1 | EA |
| 4 | MZ309-0280 | 36682300280, AL14 | Break-away Bar L60-M8 | 1 | EA |
| | MZ309-0550 | 36602300230, 36602300550, AL12 | Break-away Bar L89-M8 | 1 | EA |
| | MZ309-0250 | 46522300250, AL169 | Stylus Arm | 1 | EA |
| 1 | MZ309-0560 | 36682300050, 36682300560, AL60 | Stylus Arm | 1 | EA |
| | MZ309-0020 | 36602350020, AL168 | Stylus Arm - Large Offset | 1 | EA |
| | MZ309-0005 | AL64 | Stylus Arm w/ Screw M4 | 1 | EA |
| | MZ309-0580 | 36602300580, 46602035070, AL66 | Stylus Arm w/ screw M6 | 1 | EA |
| | MZ309-5080CP | AL145 | Stylus Foot H9 - Brass CP | 1 | EA |
| | MZ309-0004 | 46612350280S, AL133 | Stylus Foot H9-(Steel) | 1 | EA |
| | MZ309-0281 | 36682300281, AL167 | Stylus Arm w/ screw M6 and M5 | 1 | EA |
| 2 | MZ309-0520 | 46512300520, AL117 | Stylus Foot H4 - brass | 1 | EA |
| | MZ309-5080 | 46602350080, AL10 | Stylus Foot H9 - brass | 1 | EA |
| 3 | MZ309-1043 | 46572301043, AL15 | Stylus Foot H9 - steel | 1 | EA |
| | MZ309-0003 | AL39 | Stylus Foot H9 - brass w/ball bearing | 1 | EA |
| 3 | MZ309-1045 | 46572301045, AL16 | Stylus Foot H9 – PTFE | 1 | EA |

| Consumables | | | | | |
|-------------|----------------|----------------------|----------------------------------|---------|-----|
| # | PartNo | Reference | Description | Pkg Qty | UOM |
| | MZ309-0001 | AL132 | Stylus foot H9 - Brass | 1 | EA |
| | MZ309-0001CP | AL146 | Stylus foot H9 - Brass CP | 1 | EA |
| | MZ309-1041 | 46572301041, AL17 | Stylus Foot H12 - brass | 1 | EA |
| | MZ309-1041CP | AL147 | Stylus foot H12 - Brass CP | 1 | EA |
| | MZ309-1042 | 46572301042, AL59 | Stylus Foot H12 - steel | 1 | EA |
| | MZ309-1041T | 46572301041, AL18 | Stylus foot H12 - PTFE | 1 | EA |
| | MZ309-0030 | 46683300030, AL57 | Retainer | 1 | EA |
| | MZ309-1720 | 46583301720, AL13 | Retainer Nut | 1 | EA |
| | MZ335-1101 | 46773300510, AL376 | Copper Nut | 1 | EA |
| | MZ309-0013 | 46600030013, AL20 | Table Pin | 5 | EA |
| | MZ309-0080 | 46523300080, AL63 | Base | 1 | EA |
| | MZ309-Z580 | AL61, Z12KV000580 | Roller Ball - 25mm - M6 | 1 | EA |
| | MZ309-Z580X | AL3061, Z21KV000580 | Roller Ball (25 mm) - M6 10 Pack | 10 | EA |
| | MZ309-1160 | AL210, Z21ZZ001160 | Roller Ball - 30mm - M8 | 1 | EA |
| | MZ309-0321 | 46575100321, AL62 | Stainless Steel Block - L41.5 | 1 | EA |
| | MZ309-0050 | 46705100050, AL134 | Stainless Steel Block - L66 | 1 | EA |
| | MZ309-0324 | AL324 | Stainless Steel Block | 1 | EA |
| | MZ309-001 | N/A | Screws for Stylus Feet | 10 | EA |
| | MZ309-2200 | AL98, J2600S02200 | O-Ring Internal Base | 1 | EA |
| | MZ309-3200 | AL97, J2600S03200 | O-Ring External Base | 1 | EA |
| 5 | MZ321-0510 | 46603350510, AL11 | Nozzle Adaptor | 1 | EA |
| | MZ321-0001 | AL44 | Nozzle Adapter | 1 | EA |
| | MZ321-0045 | AL45 | Inner Nozzle | 1 | EA |
| | MZ321-0055 | AL55 | Inner Nozzle | 1 | EA |
| 6 | MZ321-0521-0.8 | 46603350521, L266 | Nozzle - 0.8mm | 1 | EA |
| | MZ321-0008X | 46603350521, L30266 | Nozzle - 0.8 mm 10 pack | 10 | EA |
| | MZ321-0008CP | 46603350521, L266X | Nozzle - 0.8 mm CP | 1 | EA |
| | MZ321-0008CPX | 46603350521, L30266X | Nozzle - 0.8 mm CP 10 pack | 10 | EA |
| 6 | MZ321-0521-1.0 | 46603350521, L250 | Nozzle - 1.0mm | 1 | EA |
| | MZ321-0010X | 46603350521, L30250 | Nozzle - 1.0 mm 10 pack | 10 | EA |
| | MZ321-0010CP | 46603350521, L250X | Nozzle - 1.0 mm CP | 1 | EA |
| | MZ321-0010CPX | 46603350521, L30250X | Nozzle - 1.0 mm CP 10 pack | 10 | EA |
| 6 | MZ321-0521-1.2 | 46603350521, L251 | Nozzle - 1.2mm | 1 | EA |

| Consumables | | | | | |
|-------------|-----------------|----------------------|----------------------------|---------|-----|
| # | PartNo | Reference | Description | Pkg Qty | UOM |
| | MZ321-0012X | 46603350521, L30251 | Nozzle - 1.2 mm 10 pack | 10 | EA |
| | MZ321-521-1.2CP | 46603350521, L251X | Nozzle - 1.2mm CP | 1 | EA |
| | MZ321-0012CPX | 46603350521, L30251X | Nozzle - 1.2 mm CP 10 pack | 10 | EA |
| 6 | MZ321-0520-1.5 | 46603350520, L252 | Nozzle - 1.5mm | 1 | EA |
| | MZ321-0520X | 46603350520, L30252 | Nozzle - 1.5 mm 10 pack | 10 | EA |
| | MZ321-520-1.5CP | 46603350520, L252X | Nozzle - 1.5mm CP | 1 | EA |
| | MZ321-0520CPX | 46603350520, L30252X | Nozzle - 1.5 mm CP 10 pack | 10 | EA |
| 6 | MZ321-0521-1.7 | 46603350521, L253 | Nozzle - 1.7mm | 1 | EA |
| | MZ321-0017X | 46603350521, L30253 | Nozzle - 1.7 mm 10 pack | 10 | EA |
| | MZ321-0017CP | 46603350521, L253X | Nozzle - 1.7 mm CP | 1 | EA |
| 6 | MZ321-0522-2.0 | 46603350522, L254 | Nozzle - 2.0mm | 1 | EA |
| | MZ321-0054X | 46603350522, L30254 | Nozzle - 2.0 mm 10 pack | 10 | EA |
| | MZ321-522-2.0CP | 46603350522, L254X | Nozzle - 2.0mm CP | 1 | EA |
| | MZ321-0054CPX | 46603350522, L30254X | Nozzle - 2.0 mm CP 10 pack | 10 | EA |
| | MZ321-0522-2.5 | 46603350522, L770 | Nozzle - 2.5mm | 1 | EA |
| | MZ321-1025X | 46603350522, L30770 | Nozzle - 2.5 mm 10 pack | 10 | EA |
| | MZ321-522-2.5CP | 46603350522, L770X | Nozzle-2.5mm CP | 1 | EA |
| | MZ321-1025CPX | 46603350522, L30770X | Nozzle - 2.5 mm CP 10 pack | 10 | EA |
| | MZ321-0522-3.0 | 46683301281, L771 | Nozzle - 3.0mm | 1 | EA |
| | MZ321-1030X | 46683301281, L30771 | Nozzle - 3.0 mm 10 pack | 10 | EA |
| | MZ321-522-3.0CP | 46683301281, L771X | Nozzle - 3.0mm CP | 1 | EA |
| | MZ321-1030CPX | 46683301281, L30771X | Nozzle - 3.0 mm CP 10 pack | 10 | EA |
| | MZ331-0003 | AL54 | Nozzle Adapter | 1 | EA |
| | MZ322-0008 | 46603350508, L78 | Nozzle - 0.8 mm | 1 | EA |
| | MZ322-0008X | 46603350508, L3078 | Nozzle - 0.8 mm 10 pack | 10 | EA |
| | MZ322-0008CP | 46603350508, L78X | Nozzle - 0.8 mm CP | 1 | EA |
| | MZ322-0008CPX | 46603350508, L3078X | Nozzle - 0.8 mm CP 10 pack | 10 | EA |
| 7 | MZ322-0511-1.0 | 46603350511, L69 | Nozzle - 1.0mm | 1 | EA |
| | MZ322-0511X | 46603350511, L3069 | Nozzle - 1.0 mm 10 pack | 10 | EA |
| | MZ322-0511CP | 46603350511, L69X | Nozzle - 1.0 mm CP | 1 | EA |
| | MZ322-0511CPX | 46603350511, L3069X | Nozzle - 1.0 mm CP 10 pack | 10 | EA |
| | MZ322-0512-1.2 | 4660335052A, L77 | Nozzle - 1.2mm | 1 | EA |
| | MZ322-0512X | 46603350512, L3077 | Nozzle - 1.2 mm 10 pack | 10 | EA |

| Consumables | | | | | |
|-------------|----------------|--------------------------|----------------------------|---------|-----|
| # | PartNo | Reference | Description | Pkg Qty | UOM |
| | MZ322-0512CP | 46603350512, L77X | Nozzle - 1.2 mm CP | 1 | EA |
| | MZ322-0512CPX | 46603350512, L3077X | Nozzle - 1.2 mm CP 10 pack | 10 | EA |
| 7 | MZ322-0520-1.5 | 46603350520, L127 | Nozzle - 1.5mm | 1 | EA |
| | PT322-0520X | 4660335052B, L30127 | Nozzle - 1.5 mm 10 pack | 10 | EA |
| | MZ322-0520CP | 4660335052B, L127X | Nozzle - 1.5mm CP | 1 | EA |
| | PT322-0520CPX | 4660335052B, L30127X | Nozzle - 1.5 mm CP 10 pack | 10 | EA |
| | MZ322-0517-1.7 | 46603350517, L79 | Nozzle - 1.7mm | 1 | EA |
| | MZ322-1517X | 46603350517, L3079 | Nozzle - 1.7 mm 10 pack | 10 | EA |
| | MZ322-1517CP | 46603350517, L79X | Nozzle - 1.7 mm CP | 1 | EA |
| | MZ322-1517CPX | 46603350517, L3079X | Nozzle - 1.7 mm CP 10 pack | 10 | EA |
| | MZ322-0517 | 46603350517-1.8, L281 | Nozzle - 1.8 mm | 1 | EA |
| | MZ322-0517X | 46603350517-1.8, L30281 | Nozzle - 1.8 mm 10 pack | 10 | EA |
| | MZ322-0517CPX | 46603350517-1.8, L30281X | Nozzle - 1.8 mm CP 10 pack | 10 | EA |
| 7 | MZ322-0522-2.0 | 46603350522, L80 | Nozzle - 2.0mm | 1 | EA |
| | MZ322-0522X | 4660335052C, L3080 | Nozzle - 2.0 mm 10 pack | 10 | EA |
| | MZ322-0522CP | 4660335052C, L80X | Nozzle-2.0mm CP | 1 | EA |
| | MZ322-0522CPX | 4660335052C, L3080X | Nozzle - 2.0 mm CP 10 pack | 10 | EA |
| | MZ322-0022 | 46603350522-2.2, L282 | Nozzle - 2.2 mm | 1 | EA |
| | MZ322-0022X | 46603350522-2.2, L30282 | Nozzle - 2.2 mm 10 pack | 10 | EA |
| | MZ322-0022CP | 46603350522-2.2, L282X | Nozzle - 2.2 mm CP | 1 | EA |
| | MZ322-0022CPX | 46603350522-2.2, L30282X | Nozzle - 2.2 mm CP 10 pack | 10 | EA |
| | MZ322-0025CP | 46603350525, L124X | Nozzle - 2.5 mm CP | 1 | EA |
| | MZ322-0025CPX | 46603350525, L30124X | Nozzle - 2.5 mm CP 10 pack | 10 | EA |
| 7 | MZ322-0525-2.5 | 46603350525, L124 | Nozzle - 2.5mm | 1 | EA |
| | MZ322-0025X | 46603350525, L30124 | Nozzle - 2.5 mm 10 pack | 10 | EA |
| 7 | MZ322-0530-3.0 | 46603350530, L150 | Nozzle - 3.0mm | 1 | EA |
| | MZ322-0030X | 46603350530, L30150 | Nozzle - 3.0 mm 10 pack | 10 | EA |
| | MZ322-0030CP | 46603350530, L150X | Nozzle - 3.0 mm CP | 1 | EA |
| | MZ322-0030CPX | 46603350530, L30150X | Nozzle - 3.0 mm CP 10 pack | 10 | EA |
| | MZ322-0530-3.5 | 46603350530-3.5, L708 | Nozzle - 3.5mm | 1 | EA |
| | MZ322-1035X | 46603350530-3.5, L30708 | Nozzle - 3.5 mm 10 pack | 10 | EA |
| | MZ322-1035CP | 46603350530-3.5, L708X | Nozzle - 3.5 mm CP | 1 | EA |
| | MZ322-1035CPX | 46603350530-3, L30708X | Nozzle - 3.5 mm CP 10 pack | 10 | EA |

| Consumables | | | | | |
|-------------|----------------|-------------------------|----------------------------|---------|-----|
| # | PartNo | Reference | Description | Pkg Qty | UOM |
| | MZ322-0530-4.0 | 46603350530-4.0, L709 | Nozzle - 4.0mm | 1 | EA |
| | MZ322-1040X | 46603350530-4.0, L30709 | Nozzle - 4.0 mm 10 pack | 10 | EA |
| | MZ322-1040CP | 46603350530-4.0, L709X | Nozzle - 4.0 mm CP | 1 | EA |
| | MZ322-1040CPX | 46603350530-4, L30709X | Nozzle - 4.0 mm CP 10 pack | 10 | EA |
| | MZ322-1045 | 46603350530-4.5, L710 | Nozzle - 4.5 mm | 1 | EA |
| | MZ322-1045X | 46603350530-4.5, L30710 | Nozzle - 4.5 mm 10 pack | 10 | EA |
| | MZ322-1045CP | 46603350530-4.5, L710X | Nozzle - 4.5 mm CP | 1 | EA |
| | MZ322-1045CPX | 46603350530-4, L30710X | Nozzle - 4.5 mm CP 10 pack | 10 | EA |
| | MZ322-1050 | 46603350530-5.0, L711 | Nozzle - 5.0 mm | 1 | EA |
| | MZ322-1050X | 46603350530-5.0, L30711 | Nozzle - 5.0 mm 10 pack | 10 | EA |
| | MZ322-1050CP | 46603350530-5.0, L711X | Nozzle - 5.0 mm CP | 1 | EA |
| | MZ322-1050CPX | 46603350530-5, L30711X | Nozzle - 5.0 mm CP 10 pack | 10 | EA |
| | MZ322-0523 | 46603350523, L492 | Shower Nozzle - 1.0mm | 1 | EA |
| | MZ322-0523-1.5 | L493 | Shower Nozzle - 1.5mm | 1 | EA |
| | MZ322-0523-2.0 | L497 | Shower Nozzle - 2.0mm | 1 | EA |
| | MZ322-0015CP | L373X | Nozzle - 1.5 mm CP Long | 1 | EA |
| | MZ322-0001 | L284 | Nozzle - 2.0 mm Long | 1 | EA |
| | MZ322-0001CP | L284X | Nozzle - 2.0 mm CP Long | 1 | EA |
| | MZ332-0002 | L285 | Nozzle - 2.5 mm Long | 1 | EA |
| | MZ332-0002CP | L285X | Nozzle - 2.5 mm CP Long | 1 | EA |
| | MZ332-0003 | L286 | Nozzle - 3.0 mm Long | 1 | EA |
| | MZ332-0003CP | L286X | Nozzle - 3.0 mm CP Long | 1 | EA |
| | MZ332-1280 | 46713331280, AL337 | Nut - Vespel | 1 | EA |
| | MZ332-1305 | L1300 | Nozzle -1.0mm 3D | 1 | EA |
| | MZ332-1320 | 46713331320, L1295 | Nozzle -1.2mm 3D | 1 | EA |
| | MZ332-1310 | 46713331310, L1296 | Nozzle -1.5mm 3D | 1 | EA |
| | MZ332-1301 | L1301 | Nozzle -1.8mm 3D | 1 | EA |
| | MZ332-1300 | 46713331300, L1297 | Nozzle - 2.0mm 3D | 1 | EA |
| | MZ332-1330 | 46713331330, L1298 | Nozzle -2.5mm 3D | 1 | EA |
| | MZ332-1290 | 46713331290, L1299 | Nozzle -3.0mm 3D | 1 | EA |
| 8 | MZ323-0060-1.0 | 46523300060, L61 | Nozzle - 1.0mm | 1 | EA |
| 8 | MZ323-0062-1.2 | 46523300062, L60 | Nozzle - 1.2mm | 1 | EA |
| 8 | MZ323-0061-1.5 | 46523300061, L84 | Nozzle - 1.5mm | 1 | EA |

| Consumables | | | | | |
|-------------|----------------|----------------------|------------------------------|---------|-----|
| # | PartNo | Reference | Description | Pkg Qty | UOM |
| 8 | MZ323-0061-1.7 | 46523300061, L4 | Nozzle - 1.7mm | 1 | EA |
| | MZ323-0018 | L331 | Nozzle - 1.8 mm | 1 | EA |
| 8 | MZ323-0063-2.0 | 46523300063, L51 | Nozzle - 2.0mm | 1 | EA |
| 8 | MZ323-0063-2.5 | 46523300063, L333 | Nozzle - 2.5mm | 1 | EA |
| | MZ335-0004 | L428 | Nozzle - 1.0mm | 1 | EA |
| | MZ335-0004CP | L428X | Nozzle - 1.0mm Side Blow CP | 1 | EA |
| | MZ335-0011 | L423 | Nozzle - 1.2 mm | 1 | EA |
| | MZ335-0007CP | L423X | Nozzle - 1.2mm Side Blow CP | 1 | EA |
| | MZ335-1950 | 46683301950, L429 | Nozzle - 1.5mm | 1 | EA |
| | MZ335-1950CP | 46683301950, L429X | Nozzle - 1.5mm CP | 1 | EA |
| | MZ335-1821 | 46683301821, L430 | Nozzle - 2.0mm | 1 | EA |
| | MZ368-4455CP | L950X | Nozzle - 1.8mm CP | 1 | EA |
| | MZ335-1821CP | 46683301821, L430X | Nozzle - 2.0mm CP | 1 | EA |
| | MZ335-0012CP | L471X | Nozzle - 2.2 mm CP | 1 | EA |
| | MZ335-1960 | 46683301960, L431 | Nozzle - 2.5mm | 1 | EA |
| | MZ335-1960CP | 46683301960, L431X | Nozzle - 2.5mm CP | 1 | EA |
| | MZ335-1970 | 46683301970, L432 | Nozzle - 3.0mm | 1 | EA |
| | MZ335-1970CP | 46683301970, L432X | Nozzle - 3.0mm CP | 1 | EA |
| | MZ335-0006 | L472 | Nozzle - 3.5mm | 1 | EA |
| | MZ335-0006CP | L472X | Nozzle - 3.5 mm CP | 1 | EA |
| | MZ335-0013CP | L473X | Nozzle - 4.0 mm CP | 1 | EA |
| | MZ335-0014CP | L474X | Nozzle - 4.5 mm CP | 1 | EA |
| | MZ335-1170 | 46683301170, AL76 | Contact | 1 | EA |
| | MZ335-1930 | 46683301930, AL111 | Nozzle Body Cover | 1 | EA |
| | MZ335-1930LL | 46683301930, AL111/P | Nozzle Body Cover, Long Life | 1 | EA |
| | MZ335-0009 | 46683301930, AL275 | Protective Cover (Ceramic) | 1 | EA |
| | MZ335-1113 | AL113 | Connector | 1 | EA |
| | MZ335-0100 | AL112 | Central Copper Body | 1 | EA |
| | MZ335-1120 | 46683301120, AL77 | Spacer 24x3 - PTFE | 1 | EA |
| | MZ335-1120LL | 46683301120, AL77/P | Ring, Long Life | 1 | EA |
| | MZ335-0710 | 46677330710, AL377 | Ring - Ceramic | 1 | EA |
| | MZ335-0850 | 46683300850, AL75 | Nozzle Body, Cu | 1 | EA |
| | MZ335-1130 | 46683301130, AL78 | Spacer 24x4 - PTFE | 1 | EA |

| Consumables | | | | | |
|-------------|--------------|---------------------------------|---------------------------------------|---------|-----|
| # | PartNo | Reference | Description | Pkg Qty | UOM |
| | MZ335-1130C | 46683301130, AL278 | Ceramic Spacer | 1 | EA |
| | MZ335-1130LL | 46683301130, AL78/P | Ring, Long Life | 1 | EA |
| | MZ368-0550 | 36143310550, AL365 | Body - Auminum | 1 | EA |
| | MZ335-1180 | 46683301180, AL119 | Bolt | 5 | EA |
| | MZ335-0930 | 46683300930, AL153 | Ring | 1 | EA |
| | MZ335-0001 | 0000, 0030, 4668330-1170, AL154 | Connector Kit | 1 | EA |
| | MZ335-0001A | 0000, 0030, 4668330-1170, AL213 | Connector Kit, Assembled | 1 | EA |
| | MZ335-0000 | 46683300000, AL127 | Screws for Connector Kit (MZ335-0001) | 4 | EA |
| | MZ335-0002 | TMA10 | Head w/ PTFE Spacer | 1 | EA |
| | MZ335-0005 | AL104 | Connecting Cable Adapter | 1 | EA |
| | MZ335-0111A | 46743300111 | Sensor Cable - Armored | 1 | EA |
| | MZ335-0181A | 46743300181 | Sensor Cable - Armored | 1 | EA |
| | MZ335-1330A | 46683301330 | Sensor Cable - Armored | 1 | EA |
| | MZ335-630A | 00BSBA630MNC | Sensor Cable - Armored 630mm | 1 | EA |
| | MZ335-1980A | 46683301980 | Sensor Cable - Armored | 1 | EA |
| | MZ335-8290 | 9Sa-A-4.5i | Sensor Cable | 1 | EA |
| | MZ335-1110 | 46683301110, AL74 | Bracket, Cu | 1 | EA |
| | MZ335-1080 | 46683301080, AL80 | Spacer - 27x5.5 PTFE | 1 | EA |
| | MZ335-1080C | 46683301080, AL280 | Ring, Ceramic | 1 | EA |
| | MZ335-1080P | 46683301080, L80/P | Ring, Plastic | 1 | EA |
| | MZ335-1070 | 46683301070, AL84 | Base, Brass | 1 | EA |
| | MZ335-0030 | 46683300030, AL88 | Connecting PTFE Pipe | 1 | EA |
| | MZ335-1090 | 46683301090, AL79 | Spacer 30x4 - PTFE | 1 | EA |
| | MZ335-1090C | 46683301090, AL279 | Ring, Ceramic | 1 | EA |
| | MZ335-1100 | 46683301100, AL83 | Bracket, Cu | 1 | EA |
| | MZ368-0541 | 36143310541, AL366 | Retainer Spring - Steel | 1 | EA |
| | MZ335-0320 | 46683300320, AL152 | Bolt M5 x 0.5 | 1 | EA |
| | MZ335-0008 | 46522300242, AL186 | Stylus Pin | 1 | EA |
| | MZ335-1841 | 46683301841, AL118 | Nozzle Cover | 1 | EA |
| | MZ335-1830 | 46683301830, AL128 | Nozzle Adapter | 1 | EA |
| | MZ335-1160 | 46683301160, AL82 | Copper Ring, 17x2 | 1 | EA |
| | MZ335-1850 | 46683301850, AL157 | Connector Cover | 1 | EA |

| Consumables | | | | | |
|-------------|--------------|----------------------|------------------------------------|---------|-----|
| # | PartNo | Reference | Description | Pkg Qty | UOM |
| | MZ335-1850P | 46683301850, AL157/P | Cover (Plastic) | 1 | EA |
| | MZ335-1860 | 46683301860, AL156 | Cable Connector Cover | 1 | EA |
| | MZ335-1860LL | 46683301860, AL156/P | Connector Cover (Long Life) | 1 | EA |
| | MZ335-1230 | 46683301230, AL165 | Plate | 1 | EA |
| | MZ335-1870 | 46683301870, AL155 | Cover Clips | 1 | EA |
| | MZ335-1150 | 46683301150, AL81 | Spacer 17x1.5 - PTFE | 1 | EA |
| | MZ335-0012 | TMA10/P | Head w/ Long Life Spacer | 1 | EA |
| | MZ335-1013 | TMA10/C | Head w/ Ceramic Spacer | 1 | EA |
| | MZ335-1014 | TMA20 | Head w/ PTFE Spacer | 1 | EA |
| | MZ335-0015 | TMA20/P | Head w/ Long Life Spacer | 1 | EA |
| | MZ335-0016 | TMA20/C | Head w/ Ceramic Spacer | 1 | EA |
| | MZ335-0017 | TMA30 | Head w/ PTFE Spacer | 1 | EA |
| | MZ335-0018 | TMA30/P | Head w/ Long Life Spacer | 1 | EA |
| | MZ335-0019 | TMA30/C | Head w/ Ceramic Spacer | 1 | EA |
| | MZ335-0112 | L471 | Head w/ Long Life Spacer | 1 | EA |
| | MZ335-0014 | L474 | Nozzle w/ PTFESpacer | 1 | EA |
| | MZ368-0060 | TMA60/C | Head w/ceramic spacer | 1 | EA |
| | MZ368-0070 | TMA70/C | Head w/ceramic spacer | 1 | EA |
| | MZ413-7980 | 36143307980, AL313 | Aluminum Body | 1 | EA |
| | MZ413-3242 | 36143303242, AL293 | Body | 1 | EA |
| | MZ413-0001 | TMA50/C | Complete Head (Ceramic Insulators) | 1 | EA |
| | MZ413-0002 | TMA40/C | Complete head (ceramic insulator) | 1 | EA |
| | MZ413-8190 | 46143308190, AL315 | Connector | 1 | EA |
| | MZ413-4400 | 36143304400, AL291 | Coupler | 1 | EA |
| | MZ368-0530 | AL367 | Coupler | 1 | EA |
| | MZ413-0240 | 46143300240, AL384 | Insulator - PTFE | 1 | EA |
| | MZ413-0260 | 46143300260, AL385 | Insulator - PTFE | 1 | EA |
| | MZ413-0270 | 46143300270, AL386 | Insulator - PTFE | 1 | EA |
| | MZ413-4440 | 46143304440, AL390 | Insulator - PTFE | 1 | EA |
| | MZ413-0230 | 46143300230, AL311 | Replacement Ball Kit (6 pcs) | 1 | EA |
| | MZ413-0280 | 46143300280, AL288 | Retainer Nut | 1 | EA |
| | MZ413-0290 | 46143300290, AL294 | Retainer Nut | 1 | EA |
| | MZ413-4250 | 46143304250, AL287 | Retainer Nut | 1 | EA |

| Consumables | | | | | |
|-------------|---------------|---------------------|-----------------------------------|---------|-----|
| # | PartNo | Reference | Description | Pkg Qty | UOM |
| | MZ413-7420 | 46143307420, AL295 | Retainer Nut | 1 | EA |
| | MZ413-0332 | 36143300332, AL320 | Ring, Aluminum | 1 | EA |
| | MZ413-0320 | 46143300320, AL316 | Ring, Brass | 1 | EA |
| | MZ413-0030 | 46603300030, AL317 | Screw | 1 | EA |
| | MZ413-1180 | 46683301180, AL322 | Screw | 1 | EA |
| | MZ413-0010 | AL321 | Screw (4 pcs) | 1 | EA |
| | MZ413-8170 | 46143308170, AL318 | Spacer | 1 | EA |
| | MZ335-1120M | 46683301120, ALM277 | Spacer 24x3 – ceramic | 1 | EA |
| | MZ335-1130M | 46683301130, ALM278 | Spacer 24x4 – ceramic | 1 | EA |
| | MZ335-1080M | 46683301080, ALM280 | Spacer 27x5.5 – ceramic | 1 | EA |
| | MZ335-1090M | 46683301090, ALM279 | Spacer 30x4 – ceramic | 1 | EA |
| | MZ413-0220 | 46143300220, AL289 | Spring | 1 | EA |
| | MZ413-4430 | 46143304430, AL292 | Spring Retainer | 1 | EA |
| | MZ413-8000 | 46143308000, AL314 | Spring Retainer, Steel | 1 | EA |
| | MZ346-0001 | L615 | Nozzle - 1.0 mm Double | 1 | EA |
| | MZ346-0001X | L30615 | Nozzle - 1.0 mm Double 10 pack | 10 | EA |
| | MZ346-0001CP | L615X | Nozzle - 1.0 mm CP Double | 1 | EA |
| | MZ346-0001CPX | L30615X | Nozzle - 1.0 mm CP Double 10 pack | 10 | EA |
| | MZ346-0002 | L616 | Nozzle - 1.2 mm Double | 1 | EA |
| | MZ346-0002X | L30616 | Nozzle - 1.2 mm Double 10 pack | 10 | EA |
| | MZ346-0002CP | L616X | Nozzle - 1.2 mm CP Double | 1 | EA |
| | MZ346-0002CPX | L30616X | Nozzle - 1.2 mm CP Double 10 pack | 10 | EA |
| | MZ346-0003 | L617 | Double Nozzle - 1.5mm | 1 | EA |
| | MZ346-0003X | L30617 | Nozzle - 1.5 mm Double 10 pack | 10 | EA |
| | MZ346-0003CP | L617X | Double Nozzle - 1.5mm CP | 1 | EA |
| | MZ346-0003CPX | L30617X | Nozzle - 1.5 mm CP Double 10 pack | 10 | EA |
| | MZ346-0004 | L618 | Nozzle - 1.7 mm Double | 1 | EA |
| | MZ346-0004X | L30618 | Nozzle - 1.7 mm Double 10 pack | 10 | EA |
| | MZ346-0004CP | L618X | Nozzle - 1.7 mm CP Double | 1 | EA |
| | MZ346-0004CPX | L30618X | Nozzle - 1.7 mm CP Double 10 pack | 10 | EA |
| | MZ346-0005 | L619 | Nozzle - 1.8 mm Double | 1 | EA |
| | MZ346-0005X | L30619 | Nozzle - 1.8 mm Double 10 pack | 10 | EA |
| | MZ346-0005CP | L619X | Nozzle - 1.8 mm CP Double | 1 | EA |

| Consumables | | | | | |
|-------------|---------------|-----------|-----------------------------------|---------|-----|
| # | PartNo | Reference | Description | Pkg Qty | UOM |
| | MZ346-0005CPX | L30619X | Nozzle - 1.8 mm CP Double 10 pack | 10 | EA |
| | MZ346-0006 | L620 | Double Nozzle - 2.0mm | 1 | EA |
| | MZ346-0006X | L30620 | Nozzle - 2.0 mm Double 10 pack | 10 | EA |
| | MZ346-0006CP | L620X | Double Nozzle - 2.0mm CP | 1 | EA |
| | MZ346-0007 | L621 | Nozzle - 2.2 mm Double | 1 | EA |
| | MZ346-0007X | L30621 | Nozzle - 2.2 mm Double 10 pack | 10 | EA |
| | MZ346-0007CP | L621X | Nozzle - 2.2 mm CP Double | 1 | EA |
| | MZ346-0007CPX | L30621X | Nozzle - 2.2 mm CP Double 10 pack | 10 | EA |
| | MZ346-0008 | L622 | Nozzle - 2.5 mm Double | 1 | EA |
| | MZ346-0008X | L30622 | Nozzle - 2.5 mm Double 10 pack | 10 | EA |
| | MZ346-0008CP | L622X | Double Nozzle - 2.5mm CP | 1 | EA |
| | MZ346-0008CPX | L30622X | Nozzle - 2.5 mm CP Double 10 pack | 10 | EA |
| | MZ346-0009 | L623 | Double Nozzle - 3.0mm | 1 | EA |
| | MZ346-0009X | L30623 | Nozzle - 3.0 mm Double 10 pack | 10 | EA |
| | MZ346-0009CP | L623X | Double Nozzle - 3.0mm CP | 1 | EA |
| | MZ346-0009CPX | L30623X | Nozzle - 3.0 mm CP Double 10 pack | 10 | EA |
| | MZ360-0001 | L850 | Double Nozzle - 1.0 mm | 1 | EA |
| | MZ360-0001CP | L850X | Double Nozzle - 1.0 mm CP | 1 | EA |
| | MZ360-0002 | L851 | Double Nozzle - 1.2 mm | 1 | EA |
| | MZ360-0002CP | L851X | Double Nozzle - 1.2 mm CP | 1 | EA |
| | MZ360-0003 | L852 | Double Nozzle - 1.5 mm | 1 | EA |
| | MZ360-0003CP | L852X | Double Nozzle - 1.5mm CP | 1 | EA |
| | MZ360-0004 | L858 | Double Nozzle - 1.8 mm | 1 | EA |
| | MZ360-0004CP | L858X | Double Nozzle - 1.8 mm CP | 1 | EA |
| | MZ360-0005 | L853 | Double Nozzle - 2.0mm | 1 | EA |
| | MZ360-0005CP | L853X | Double Nozzle - 2.0mm CP | 1 | EA |
| | MZ360-0006 | L849 | Double Nozzle - 2.2 mm | 1 | EA |
| | MZ360-0006CP | L849X | Double Nozzle - 2.2 mm CP | 1 | EA |
| | MZ360-0007 | L854 | Double Nozzle - 2.5 mm | 1 | EA |
| | MZ360-0007CP | L854X | Double Nozzle - 2.5mm CP | 1 | EA |
| | MZ360-0008 | L855 | Double Nozzle - 3.0 mm | 1 | EA |
| | MZ360-0008CP | L855X | Double Nozzle - 3.0mm CP | 1 | EA |
| | MZ360-0009 | L856 | Double Nozzle - 3.5 mm | 1 | EA |

| Consumables | | | | | |
|-------------|---------------|-----------------------------------|--------------------------------|---------|-----|
| # | PartNo | Reference | Description | Pkg Qty | UOM |
| | MZ360-0009CP | L856X | Double Nozzle - 3.5 mm CP | 1 | EA |
| | MZ368-0018CP | L949X | Nozzle - 0.8 mm CP | 1 | EA |
| | MZ368-4430CP | L941X | Nozzle - 1.0 mm CP | 1 | EA |
| | MZ368-4450CP | 46143304450, L943X | Nozzle - 1.5mm CP | 1 | EA |
| | MZ368-4460CP | 46143304460, L944X | Nozzle - 2.0mm CP | 1 | EA |
| | MZ368-4480CP | 46143304480, L945X | Nozzle - 2.5mm CP | 1 | EA |
| | MZ368-4490CP | 46143304490, L946X | Nozzle - 3.0mm CP | 1 | EA |
| | MZ368-4500CP | 46143304500, L947X | Nozzle - 3.5mm CP | 1 | EA |
| | MZ368-4510CP | 46143304510, L948X | Nozzle - 4.0mm CP | 1 | EA |
| | MZ368-0005CP | L953X | Double Nozzle - 1.5mm CP | 1 | EA |
| | MZ368-0001 | 36143304420, AL242 | Nozzle Holder, Hyper Gear | 1 | EA |
| | MZ373-0001 | L952X | Double Nozzle - 1.2mm CP | 1 | EA |
| | MZ373-0003 | L954X | Double Nozzle - 2.0mm CP | 1 | EA |
| | MZ373-0004 | L955X | Double Nozzle - 2.5mm CP | 1 | EA |
| | MZ385-0508 | 46603350508, L725 | Nozzle - 0.8 mm Hex | 1 | EA |
| | MZ385-0508X | 46603350508, L30725 | Nozzle - 0.8 mm Hex 10 pack | 10 | EA |
| | MZ385-0508CP | 46603350508, L725X | Nozzle - 0.8 mm Hex CP | 1 | EA |
| | MZ385-0508CPX | 46603350508, L30725X | Nozzle - 0.8 mm Hex CP 10 pack | 10 | EA |
| | MZ385-0511 | 46603350511, L726 | Nozzle - 1.0 mm Hex | 1 | EA |
| | MZ385-0511X | 46603350511, L30726 | Nozzle - 1.0 mm Hex 10 pack | 10 | EA |
| | MZ385-0511CP | 46603350511, L726X | Nozzle - 1.0 mm Hex CP | 1 | EA |
| | MZ385-0511CPX | 46603350511, L30726X | Nozzle - 1.0 mm Hex CP 10 pack | 10 | EA |
| | MZ385-5052 | 4660335052A, L727 | Nozzle - 1.2 mm Hex | 1 | EA |
| | MZ385-5052X | 4660335052A, L30727 | Nozzle - 1.2 mm Hex 10 pack | 10 | EA |
| | MZ385-5052CP | 4660335052A, L727X | Nozzle - 1.2 mm Hex CP | 1 | EA |
| | MZ385-5052CPX | 4660335052A, L30727X | Nozzle - 1.2 mm Hex CP 10 pack | 10 | EA |
| | MZ385-5052B | 46603350515, 4660335052B, L728 | Nozzle 1.5mm | 1 | EA |
| | MZ385-5052BX | 46603350515, 4660335052B, L30728 | Nozzle - 1.5 mm Hex 10 pack | 10 | EA |
| | MZ385-052CP | 46603350515, 4660335052B, L728X | Nozzle - 1.5 mm Hex CP | 1 | EA |
| | MZ385-052CPX | 46603350515, 4660335052B, L30728X | Nozzle - 1.5 mm Hex CP 10 pack | 10 | EA |
| | MZ385-0517 | 46603350517, L729 | Nozzle - 1.7 mm Hex | 1 | EA |

| Consumables | | | | | |
|-------------|---------------|---------------------------|--------------------------------|---------|-----|
| # | PartNo | Reference | Description | Pkg Qty | UOM |
| | MZ385-0517X | 46603350517, L30729 | Nozzle - 1.7 mm Hex 10 pack | 10 | EA |
| | MZ385-0517CP | 46603350517, L729X | Nozzle - 1.7 mm Hex CP | 1 | EA |
| | MZ385-0517CPX | 46603350517, L30729X | Nozzle - 1.7 mm Hex CP 10 pack | 10 | EA |
| | MZ385-517 | 46603350517-1.8, L730 | Nozzle - 1.8 mm Hex | 1 | EA |
| | MZ385-517CP | 46603350517-1.8, L730X | Nozzle - 1.8 mm Hex CP | 1 | EA |
| | MZ385-517CPX | 46603350517-1, L30730X | Nozzle - 1.8 mm Hex CP 10 pack | 10 | EA |
| | MZ385-5052C | 4660335052C, L731 | Nozzle - 2.0mm | 1 | EA |
| | MZ385-5052CX | 4660335052C, L30731 | Nozzle - 2.0 mm Hex 10 pack | 10 | EA |
| | MZ385-0052CP | 4660335052C, L731X | Nozzle - 2.0 mm Hex CP | 1 | EA |
| | MZ385-0052CPX | 4660335052C, L30731X | Nozzle - 2.0 mm Hex CP 10 pack | 10 | EA |
| | MZ385-0522 | 46603350522-2.2, L732 | Nozzle - 2.2 mm Hex | 1 | EA |
| | MZ385-0522X | 46603350522-2.2, L30732 | Nozzle - 2.2 mm Hex 10 pack | 10 | EA |
| | MZ385-0522CP | 46603350522-2.2, L732X | Nozzle - 2.2 mm Hex CP | 1 | EA |
| | MZ385-0522CPX | 46603350522-2, L30732X | Nozzle - 2.2 mm Hex CP 10 pack | 10 | EA |
| | MZ385-0003 | 4660335052D, L733 | Nozzle - 2.5 mm Hex | 1 | EA |
| | MZ385-0003X | 4660335052D, L30733 | Nozzle - 2.5 mm Hex 10 pack | 10 | EA |
| | MZ385-0003CP | 4660335052D, L733X | Nozzle - 2.5 mm Hex CP | 1 | EA |
| | MZ385-0003CPX | 4660335052D, L30733X | Nozzle - 2.5 mm Hex CP 10 pack | 10 | EA |
| | MZ385-1003 | 46603350530, L734 | Nozzle - 3.0 mm Hex | 1 | EA |
| | MZ385-1003X | 46603350530, L30734 | Nozzle - 3.0 mm Hex 10 pack | 10 | EA |
| | MZ385-1003CP | 46603350530, L734X | Nozzle - 3.0 mm Hex CP | 1 | EA |
| | MZ385-1003CPX | 46603350530, L30734X | Nozzle - 3.0 mm Hex CP 10 pack | 10 | EA |
| | MZ385-0030 | 46603350530-3.5, L735 | Nozzle - 3.5 mm Hex | 1 | EA |
| | MZ385-0030X | 46603350530-3.5, L30735 | Nozzle - 3.5 mm Hex 10 pack | 10 | EA |
| | MZ385-0030CP | 46603350530-3.5, L735X | Nozzle - 3.5 mm Hex CP | 1 | EA |
| | MZ385-0030CPX | 46603350530-3, 5, L30735X | Nozzle - 3.5 mm Hex CP 10 pack | 10 | EA |
| | MZ385-0530 | 46603350530-4.0, L736 | Nozzle - 4.0 mm Hex | 1 | EA |
| | MZ385-0530X | 46603350530-4.0, L30736 | Nozzle - 4.0 mm Hex 10 pack | 10 | EA |
| | MZ385-0530CP | 46603350530-4.0, L736X | Nozzle - 4.0 mm Hex CP | 1 | EA |
| | MZ385-0530CPX | 46603350530-4, L30736X | Nozzle - 4.0 mm Hex CP 10 pack | 10 | EA |
| | MZ385-530 | 46603350530-4.5, L737 | Nozzle - 4.5 mm Hex | 1 | EA |
| | MZ385-530X | 46603350530-4.5, L30737 | Nozzle - 4.5 mm Hex 10 pack | 10 | EA |
| | MZ385-530CP | 46603350530-4.5, L737X | Nozzle - 4.5 mm Hex CP | 1 | EA |

| Consumables | | | | | |
|-------------|---------------|------------------------|--|---------|-----|
| # | PartNo | Reference | Description | Pkg Qty | UOM |
| | MZ385-530CPX | 46603350530-4, L30737X | Nozzle - 4.5 mm Hex CP 10 pack | 10 | EA |
| | MZ419-0001 | L1223 | Nozzle - 1.2 mm Hex w/ Insert | 1 | EA |
| | MZ419-0001X | L301223 | Nozzle - 1.2 mm Hex w/ Insert 10 pack | 10 | EA |
| | MZ419-0001CP | L1223X | Nozzle - 1.2 mm Hex CP w/ Insert | 1 | EA |
| | MZ419-0001CPX | L301223X | Nozzle - 1.2 mm Hex CP w/ Insert 10 pack | 10 | EA |
| | MZ419-0002 | L1224 | Nozzle - 1.5 mm Hex w/ Insert | 1 | EA |
| | MZ419-0002X | L301224 | Nozzle - 1.5 mm Hex w/ Insert 10 pack | 10 | EA |
| | MZ419-0002CP | L1224X | Nozzle - 1.5 mm Hex CP w/ Insert | 1 | EA |
| | MZ419-0002CPX | L301224X | Nozzle - 1.5 mm Hex CP w/ Insert 10 pack | 10 | EA |
| | MZ419-0003 | L1225 | Nozzle - 1.8 mm Hex w/ Insert | 1 | EA |
| | MZ419-0003X | L301225 | Nozzle - 1.8 mm Hex w/ Insert 10 pack | 10 | EA |
| | MZ419-0003CP | L1225X | Nozzle - 1.8 mm Hex CP w/ Insert | 1 | EA |
| | MZ419-0003CPX | L301225X | Nozzle - 1.8 mm Hex CP w/ Insert 10 pack | 10 | EA |
| | MZ419-0004 | L1226 | Nozzle - 2.0 mm Hex w/ Insert | 1 | EA |
| | MZ419-0004CP | L1226X | Nozzle - 2.0 mm Hex CP w/ Insert | 1 | EA |
| | MZ419-0004X | L301226 | Nozzle - 2.0 mm Hex w/ Insert 10 pack | 10 | EA |
| | MZ419-0004CPX | L301226X | Nozzle - 2.0 mm Hex CP w/ Insert 10 pack | 10 | EA |
| | MZ419-0005 | L1227 | Nozzle - 2.2 mm Hex w/ Insert | 1 | EA |
| | MZ419-0005X | L301227 | Nozzle - 2.2 mm Hex w/ Insert 10 pack | 10 | EA |
| | MZ419-0005CP | L1227X | Nozzle - 2.2 mm Hex CP w/ Insert | 1 | EA |
| | MZ419-0005CPX | L301227X | Nozzle - 2.2 mm Hex CP w/ Insert 10 pack | 10 | EA |
| | MZ419-0006 | L1228 | Nozzle - 2.5 mm Hex w/ Insert | 1 | EA |
| | MZ419-0006X | L301228 | Nozzle - 2.5 mm Hex w/ Insert 10 pack | 10 | EA |
| | MZ419-0006CP | L1228X | Nozzle - 2.5 mm Hex CP w/ Insert | 1 | EA |
| | MZ419-0007 | L1229 | Nozzle - 3.0 mm Hex w/ Insert | 1 | EA |
| | MZ419-0006CPX | L301228X | Nozzle - 2.5 mm Hex CP w/ Insert 10 pack | 10 | EA |
| | MZ419-0007X | L301229 | Nozzle - 3.0 mm Hex w/ Insert 10 pack | 10 | EA |
| | MZ419-0007CP | L1229X | Nozzle - 3.0 mm Hex CP w/ Insert | 1 | EA |
| | MZ419-0007CPX | L301229X | Nozzle - 3.0 mm Hex CP w/ Insert 10 pack | 10 | EA |
| | MZ427-0001 | L1264 | Nozzle - 1.0 mm Special | 1 | EA |

| Consumables | | | | | |
|-------------|------------|--------------------|------------------------------|---------|-----|
| # | PartNo | Reference | Description | Pkg Qty | UOM |
| | MZ427-0002 | L1265 | Nozzle - 1.2 mm Special | 1 | EA |
| | MZ427-0003 | L1266 | Nozzle - 1.5 mm Special | 1 | EA |
| | MZ427-0004 | L1267 | Nozzle - 2.0 mm Special | 1 | EA |
| | MZ427-0005 | L1268 | Nozzle - 3.0 mm Special | 1 | EA |
| | MZ408-0240 | 46143300240, AL284 | Ring, Ceramic | 1 | EA |
| | MZ408-0260 | 46143300260, AL285 | Ring, Ceramic | 1 | EA |
| | MZ408-0270 | 46143300270, AL286 | Ring, Ceramic | 1 | EA |
| | MZ408-4440 | 46143304440, AL290 | Ring, Ceramic | 1 | EA |
| | MZ368-2100 | AL486 | Insulating ring PPS 38 x 5.5 | 1 | EA |
| | MZ368-2130 | AL485 | Insulating ring PPS 40 x 4 | 1 | EA |
| | MZ368-2080 | AL490 | Spacer PPS 40 x 6 | 1 | EA |
| | MZ368-2090 | AL487 | Ceramic ring 30 x 3 | 1 | EA |
| | MZ368-2120 | AL484 | Insulating ring PPS 40 x 5 | 1 | EA |
| | MZ373-0005 | L956X | Double Nozzle - 3.0mm CP | 1 | EA |
| | MZ373-0006 | L957X | Double Nozzle - 3.5mm CP | 1 | EA |
| | MZ373-0007 | L958X | Double Nozzle - 4.0mm CP | 1 | EA |

| Maintenance | | | | | |
|-------------|------------|-------------|---------------------------------------|---------|-----|
| # | PartNo | Reference | Description | Pkg Qty | UOM |
| | MZ335-0003 | AL166 | Ring Kit | 1 | EA |
| | MZ427-0006 | AL301 | Brush - w/ Screws 180x30x20 | 1 | EA |
| | MZ999-HNPZ | 567123323A1 | Sensor Repair HNPZ | 1 | EA |
| | MZ335-115 | ALI115/M | Wire, Indium, .8mm x 125mm, 1.5" Lens | 1 | EA |
| | MZ335-120 | ALI120/M | Wire, Indium, .8mm x 160mm, 2.0" Lens | 1 | EA |
| | MZ427-0230 | Z50MB000230 | Wire - Indium .030"Dia/6' Length | 1 | EA |

| Optics | | | | | |
|--------|-------------|----------------------------|---------------------------------|---------|-----|
| # | PartNo | Reference | Description | Pkg Qty | UOM |
| | MZ335-1140 | 46683301140, AL73 | Housing, Aluminum | 1 | EA |
| | MZ309-309-1 | AL106 | Housing for 2.0" Dia Lenses | 1 | EA |
| | MZ315-0130 | 60830, 962834, Z50MB000130 | Lens Plx 1.5"Dia/5.0"FL/.118"ET | 1 | EA |

| Optics | | | | | |
|--------|----------------|-------------------------------|---|---------|-----|
| # | PartNo | Reference | Description | Pkg Qty | UOM |
| | MZ315-0160 | 227092, 60770 | Lens Plx 1.5"Dia/5.0"FL/.236"ET | 1 | EA |
| | MZ315-0400 | 578662, 60905, Z50MB000400 | Lens Plx 1.5"Dia/5.0"FL/.300"ET | 1 | EA |
| | MZ315-0400MP5 | 106106 | Lens Plx 1.5"Dia/5.0"FL/.300"ET MP5 | 1 | EA |
| | MZ315-5160 | 304725, 61003, Z50ZZ005160 | Lens Plx 2.0"Dia/5.0"FL/.310"ET | 1 | EA |
| | MZ315-5980 | 145980 | Lens PLX 2.0"Dia/5.0"FL/.300"ET | 1 | EA |
| | MZ315-0516A | 61019, 741363, Z50ZZ00516A | Lens Plx 2.0"Dia/5.0"FL/.380"ET | 1 | EA |
| | MZ315-0520A | 232771, 61405, Z50ZZ000520A | Lens Plx 2.0"Dia/7.5"FL/.380"ET | 1 | EA |
| | MZ315-0160MP5 | 60770LA, 857048, Z50MB000160 | Lens Plx 1.5"Dia/5.0"FL/.236"ET MP5 | 1 | EA |
| | MZ315-2155 | 702155 | Lens PLX 1.5"DIA/9.5"MFL/.1575"ET | 1 | EA |
| | MZ315-0520AMP5 | 392125, 61405LA, Z50ZZ000520A | Lens Plx 2.0"Dia/7.5"FL/.380"ET MP5 | 1 | EA |
| | MZ315-0480 | Z50ZZ010480 | Lens PLX 2.0"Dia/12MFL/.236"ET | 1 | EA |
| | MZ315-8148 | 938148 | LENS ZNSE PLX 2.5"DIA/7.5"FL/.380"ET | 1 | EA |
| | MZ315-0040 | 61802, 874428, Z50MB000040 | Mirror Cu PS 1.5"Dia/.250"ET | 1 | EA |
| | MZ315-0686 | 390686 | Mirror CU PS 1.5"Dia/.250"ET | 1 | EA |
| | MZ315-0017 | 390017 | Mirror CU TRZ 1.575"Dia/.295"ET/45 Deg | 1 | EA |
| | MZ315-0060 | 355377, 61121, Z50MB000060 | Mirror CU TRZ 2.36"Dia/.394"ET | 1 | EA |
| | MZ315-0070 | 61273, 832216, Z50MB000070 | Mirror Cu ZPS2.0"Dia/.394"ET 99.5% | 1 | EA |
| | MZ315-0602 | 355377, 61389 | Mirror CU TRZ 2.36"Dia/.394"ET | 1 | EA |
| | MZ315-3055 | 593055 | Mirror CU TRZ 2.362"Dia/.374"ET | 1 | EA |
| | MZ315-8360 | 160586, Z50ZZ008360 | Mirror Cu ATFR 2.0"Dia/.375"ET 99.5% | 1 | EA |
| | MZ315-0860 | 467694, Z50ZZ010860 | Mirror CU PS 2.0"DIA/.375"ET | 1 | EA |
| | MZ315-7694 | 467694 | MIRROR CU RPR 2.0"DIA/.378"ET 90DEG | 1 | EA |
| | MZ315-0002 | 328100, BRAL0002 | Mirror GE RM 1.1"Dia/.220"ET/20MCC-99.5 | 1 | EA |
| | MZ315-1407 | 326453, 61407 | Mirror GE RM 1.1"Dia/0.22"ET/20MCC99.5% | 1 | EA |
| | MZ315-0580 | Z50MB010580 | Mirror GE RM 1.1"Dia/.22"ET/99.6%R | 1 | EA |
| | MZ315-8100 | 328100 | Mirror GE RM 1.1"Dia/.220"ET 10MCC.6MCX 99.5 | 1 | EA |
| | MZ315-0560 | 911682, Z50MBB010560 | Mirror OC 1.1"/.220CT 20MCC15MCX 75% | 1 | EA |
| | MZ315-0007 | 892005, BRAL0007 | Mirror ZNSE OC 1.1"Dia/.220"ET/20MCC-70 | 1 | EA |
| | MZ315-6662 | 796662 | Mirror ZNSE OC 1.1"Dia/.220"ET 20MCC/15MCX 50%/AR | 1 | EA |

| Optics | | | | | |
|--------|------------|-----------------------|--|---------|-----|
| # | PartNo | Reference | Description | Pkg Qty | UOM |
| | MZ315-0008 | 196066, BRAL0008 | Mirror ZNSE OC 1.1"Dia/.220"ET/20MCC-50 | 1 | EA |
| | MZ315-8825 | 341534, 408825, 61270 | Mirror SI Demmr 2.0"Dia/0.200"ET | 1 | EA |
| | MZ315-0014 | 996264, BRAL0014 | Mirror ZNSE OC 1.1"Dia/.220"ET/20MCC-40 | 1 | EA |
| | MZ315-5420 | 132098, Z50MB005420 | Mirror ZNSE OC 1.1"Dia/.220"ET/50% | 1 | EA |
| | MZ315-5433 | 945433 | Mirror ZNSE COL1.5"Dia/23.25"FL/.1196"ET | 1 | EA |
| | MZ315-8393 | 448393 | Mirror ZNSE COL 1.5"Dia/15.0M FL/.157"ET Pix | 1 | EA |
| | MZ315-8401 | 124867, 4L104184-01 | Mirror SI TRZ 1.75"Dia/.375"ET | 1 | EA |
| | MZ315-1053 | 381053 | Mirror ZNSE BMSPLTR 1.5"DIA/.120"ET 50%P-POL | 1 | EA |
| | MZ315-1727 | 931727 | Mirror ZNSE BMSPLTR 1.5"DIA/.120"ET 50%I-POL | 1 | EA |
| | MZ315-7751 | 617751 | Mirror ZNSE BMSPLTR 1.5"DIA/.120"ET 50%S-POL | 1 | EA |

| Other | | | | | |
|-------|------------|-----------|----------------------------------|---------|-----|
| # | PartNo | Reference | Description | Pkg Qty | UOM |
| | TR300-6452 | 086452 | Lens Cleaning Paper, (50 sheets) | 1 | EA |