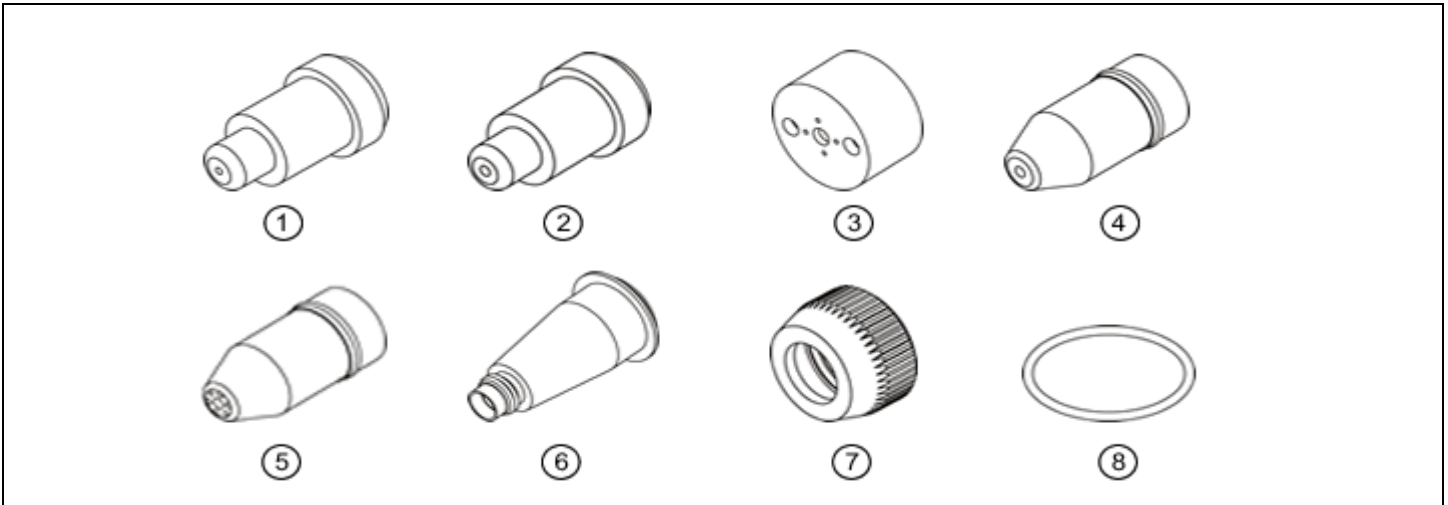


ProductLine: CINN-CL7-SERIES
System: CL7 Series®

Date: Jun-5-2014



Consumables					
#	PartNo	Reference	Description	Pkg Qty	UOM
1	CN305-7469	907469, L221	Nozzle:1.0mm (0.040") Contact	1	EA
1	CN305-7470	907470, L222	Nozzle:1.5mm (0.060") Contact	1	EA
1	CN305-0006	920006, L223	Nozzle:2.0mm (0.080") Contact	1	EA
2	CN305-8090	908090, L220	Nozzle:1.5mm (0.060") Elongated	5	EA
3	CN305-7472	AL71	Nozzle Holder, Contact w/Gasket	1	EA
	CN305-0000	907472, AL92	Gasket - PTFE w/ Spring	1	EA
3	CN305-7677	907677, AL71/S	Nozzle Holder, Contact	1	EA
	CN306-9660-1	924635, L712	Nozzle:1.0mm (0.040")	1	EA
	CN306-0012	L961	Nozzle:1.2mm (0.045")	1	EA
	CN306-0013	L962	Nozzle:1.3mm (0.050")	1	EA
	CN306-0014	L963	Nozzle:1.4mm (0.055")	1	EA
4	CN306-9660	909660, L224	Nozzle:1.5mm (0.060")	1	EA
4	CN306-0315	910315, L225	Nozzle:2.0mm (0.080")	1	EA
	CN306-3789	923789, 924638, L713	Nozzle:2.5mm (0.100")	1	EA
	CN306-4634	924634, L714	Nozzle:3.0mm (0.120")	1	EA
5	CN306-3013	923013, L433	Nozzle:1.0mm (0.040") Shower	1	EA
5	CN306-3014	923014, L434	Nozzle:1.5mm (0.060") Shower	1	EA

Consumables					
#	PartNo	Reference	Description	Pkg Qty	UOM
	CN306-2815	912815, L724	Nozzle:4.0mm (0.160") 0.772" Long	1	EA
	CN306-0020	L435	Nozzle:2.0mm (0.080") Shower	1	EA
	CN306-9910	913025, L1018	Nozzle:1.0mm (0.040") Double	1	EA
	CN306-9915	L1019	Nozzle:1.5mm (0.060") Double	1	EA
	CN306-1022	L1022	Nozzle:1.5mm (0.060") Double	1	EA
	CN306-9920	913027, L1020	Nozzle:2.0mm (0.080") Double	1	EA
	CN306-9925	L1021	Nozzle:2.5mm (0.100") Double	1	EA
6	CN306-9658	56153, 909658	Tip Retainer, Non-Contact	1	EA
7	CN306-9659	909659, AL48	Tip Lock Nut, Non-Contact	1	EA
8	CN306-9664	56161, 909664	O-Ring	1	EA
	CN306-9680	909680, AL95	Nozzle O-Ring (10/pkg)	1	EA
	CN306-0150	923258, AL137	Nozzle Body	1	EA
	CN306-0001	923259, AL139	Insulator Ring	1	EA
	CN306-3021	923021-S, 963021, AL135	Tip Retainer Nut, Tapered	1	EA
	CN306-0011	L1528	Nozzle:0.8MM (0.0315)	1	EA
	CN306-4636	924636, L869	Nozzle:1.5mm (0.060")	1	EA
	CN306-4637	924637, L870	Nozzle:2.0mm (0.080")	1	EA
	CN306-2951	842951, PLTTW0015	Sensor Cable (5.5")	1	EA
	CN306-9654	909654, 922686, PLTTW0002	Sensor Cable (4.5")	1	EA
	CN306-0654A	909654, 922686	Sensor Cable - Armored (4.5")	1	EA
	CN306-0951A	842951	Sensor Cable - Armored (5.5")	1	EA

Optics					
#	PartNo	Reference	Description	Pkg Qty	UOM
	CN307-8085	61001, 908085, 941031	Lens Plx 1.5"Dia/5.00"Wd FL/.280"ET	1	EA
	CN307-7557	706491, 907557	Lens Plx 1.5"Dia/5.00" FL/.160"ET	1	EA
	CN307-9484	464497, 61002, 909484	Lens Plx 1.5"Dia/ 7.50"Wd FL/.280"ET	1	EA
	CN307-2377	61019, 741363, 922377, Z50ZZ013480	Lens Plx 2.0"Dia/5.0"FL/.380"ET	1	EA
	CN307-0676	61514, 870676	Lens Plx 2.0"Dia/5.0"Wd FL/.380"ET	1	EA
	CN307-2376	232771, 61405, 695399, 922376, Z50ZZ013470	Lens Plx 2.0"Dia/7.5"FL/.380"ET	1	EA
	CN307-1603	61515, 781603	Lens Plx 2.0"Dia/7.5"Wd FL/.380"ET	1	EA

Optics					
#	PartNo	Reference	Description	Pkg Qty	UOM
	CN307-2722	434440, 922722	Lens PFL 2.0"DIA/.236"ET/4M	1	EA
	CN307-8085NUL	61001ULA	Lens PLX 1.5"DIA/5.0"WD/.280"ET ULA	1	EA
	CN307-9484MP5	204518, 61002LA, 909484	Lens Plx 1.5" Dia/7.5"Wd FL/.280"ET MP5	1	EA
	CN307-2377NUL	61019ULA	Lens PLX 2.0"DIA/5.0"FL/.380"ET ULA	1	EA
	CN307-4498	154498	Lens Plx 2.0" Dia/10.0"WD FL/.380"ET	1	EA
	CN307-1793	61793, 909772, 981640	Mirror Cu TRZ 1.5"Dia/.236"ET	1	EA
	CN307-0296	156390, 920296	Mirror CU COL-0 1.97"DIA/.375"ET/2.44MCC	1	EA
	CN307-0295	384467, 61443, 920295	Mirror CU COL-I 1.97"DIA/.370ET/1.73MCX	1	EA
	CN307-0211MP5	N/A	Lens PLX 2.0"Dia/5.0"WD/.380"ET MP5	1	EA
	CN307-9975	61801, 832944, 909975	Mirror CU PS 2.25"Dia/.390"ET	1	EA
	CN307-2768	448199, 922768	Mirror CU PS 2.25" Dia/1.25 ET WC	1	EA
	CN307-2515	703380, 922515	Mirror CU PS 2.5"DIA/.390"ET	1	EA
	CN307-3380	703380	MIRROR CU PS 2.5"DIA/2.126"ET	1	EA
	CN307-8237	498237	Mirror SI PS 1.5"Dia/.160 "ET	1	EA
	CN307-3414	160586, 923414	Mirror CU ATFR 2.0" Dia/.375" ET/99.5%	1	EA
	CN307-8085LA	61001LA, 908085	Lens 1.5" Dia/5.13" FL/7.11mm ET LA	1	EA
	CN307-2645	408825, 922645	Mirror SI MMR 2.0"DIA/.200"ET	1	EA
	CN307-9772	61794, 909772	Mirror CU TRZ 2.0"DIA/2.126"ET/PLANO WC	1	EA
	CN307-9976	397921, 61795, 909976	Mirror CU ZPS 2.25"DIA/.390"ET	1	EA
	CN307-2769	229918, 922769	Mirror Cu ZPS 2.25"/1.25"ET WC	1	EA
	CN307-3010	61809, 923010	Mirror CU TRZ 3.0"DIA/.500"ET	1	EA
	CN307-0341	61124, 910341, 923010, SPL0810	Mirror CU TRZ 3.0"Dia/.500"ET	1	EA
	CN307-2992	222992	Mirror SI TRZ 2.0"Dia/.200"ET/45 Deg	1	EA
	CN307-7971	326362, 907971	Mirror SI TRZ 2.0"Dia/.200"ET	1	EA
	CN307-7969	61435, 907969, SPL1060	Mirror ZNSE OC 1.0"DIA/.236"ET/30MCC-65	1	EA
	CN307-4510	652030, 924510, SPL0970	Mirror ZNSE OC 1.5"DIA/.315"ET/15MCC-40	1	EA
	CN307-2668	851074, 922668	Mirror ZNSE OC 1.5"DIA/.315"ET/51.6MCC-50	1	EA
	CN307-3604	705457, 923604	Mirror ZNSE OC 1.5"DIA/.315"ET 40MCC-50%	1	EA
	CN307-7970	61436, 907970, SPL1050	Mirror GE RM 1.0"DIA/.236"ET/15.0MCC	1	EA

Optics					
#	PartNo	Reference	Description	Pkg Qty	UOM
	CN307-4511	907692, 924511, SPL0980	Mirror GE RM 1.5"DIA/.315"ET/15.0MCC	1	EA
	CN307-2644	284474, 922644	Mirror GE RM 1.5"DIA/.315"ET/51.6MCC	1	EA
	CN307-3603	923603, 937737	Mirror GE RM 1.5"DIA/.315"ET 40MCC/PO-99.5%	1	EA
	CN307-5587	335587	Mirror SI PR 2.0"Dia/.200ET/90 DEG RPR	1	EA
	CN307-7753	957753/F	Mirror CU TRZ 1.96"Dia/1.0"ET MTD	1	EA

Other					
#	PartNo	Reference	Description	Pkg Qty	UOM
	TR300-6452	086452	Lens Cleaning Paper, (50 sheets)	1	EA